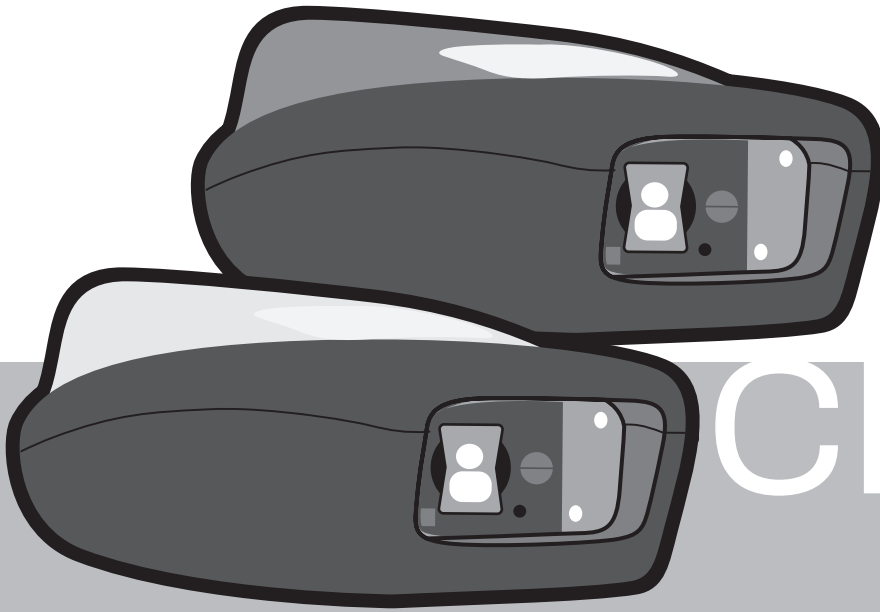


USER MANUAL



CR1100

MANUAL VERSION 03
UPDATED: OCTOBER 2022

code[®]

Statement of Agency Compliance

NOTE: This equipment has been tested and found to comply with the limits for a Class B digital device, pursuant to part 15 of the FCC Rules. These limits are designed to provide reasonable protection against harmful interference in a residential installation. This equipment generates, uses and can radiate radio frequency energy and, if not installed and used in accordance with the instructions, may cause harmful interference to radio communications. However, there is no guarantee that interference will not occur in a particular installation. If this equipment does cause harmful interference to radio or television reception, which can be determined by turning the equipment off and on, the user is encouraged to try to correct the interference by one or more of the following measures:

- Reorient or relocate the receiving antenna.
- Increase the separation between the equipment and receiver.
- Connect the equipment into an outlet on a circuit different from that to which the receiver is connected.
- Consult the dealer or an experienced radio/TV technician for help.

Industry Canada (IC)

This device complies with Industry Canada license-exempt RSS standard(s). Operation is subject to the following two conditions: (1) this device may not cause interference, and (2) this device must accept any interference, including interference that may cause undesired operation of the device.

Industrie Canada (IC)

Le présent appareil est conforme aux CNR d'Industrie Canada applicables aux appareils radio exempts de licence. L'exploitation est autorisée aux deux conditions suivantes : (1) l'appareil ne doit pas produire de brouillage, et (2) l'utilisateur de l'appareil doit accepter tout brouillage radioélectrique subi, même si le brouillage est susceptible d'en compromettre le fonctionnement.

Code Reader™ 1100 User Manual Legal Disclaimer

Copyright © 2022 Code® Corporation.

All Rights Reserved.

The software described in this manual may only be used in accordance with the terms of its license agreement.

No part of this publication may be reproduced in any form or by any means without written permission from Code Corporation. This includes electronic or mechanical means such as photocopying or recording in information storage and retrieval systems.

NO WARRANTY. This technical documentation is provided AS-IS. Further, the documentation does not represent a commitment on the part of Code Corporation. Code Corporation does not warrant that it is accurate, complete or error free. Any use of the technical documentation is at the risk of the user. Code Corporation reserves the right to make changes in specifications and other information contained in this document without prior notice, and the reader should in all cases consult Code Corporation to determine whether any such changes have been made. Code Corporation shall not be liable for technical or editorial errors or omissions contained herein; nor for incidental or consequential damages resulting from the furnishing, performance, or use of this material. Code Corporation does not assume any product liability arising out of or in connection with the application or use of any product or application described herein.

NO LICENSE. No license is granted, either by implication, estoppel, or otherwise under any intellectual property rights of Code Corporation. Any use of hardware, software and/or technology of Code Corporation is governed by its own agreement.

The following are trademarks or registered trademarks of Code Corporation:

CodeShield®, CodeXML®, Maker™, QuickMaker™, CodeXML® Maker™, CodeXML® Maker Pro™, CodeXML® Router™, CodeXML® Client SDK™, CodeXML® Filter™, HyperPage™, CodeTrack™, GoCard™, GoWeb™, ShortCode™, GoCode®, Code Router™, QuickConnect Codes™, Rule Runner™, Cortex™, CortexRM®, CortexMobile®, Code®, Code Reader™, CortexAG™, CortexStudio®, CortexTools®, Affinity™, and CortexDecoder®.

All other product names mentioned in this manual may be trademarks of their respective companies and are hereby acknowledged.

The software and/or products of Code Corporation include inventions that are patented or that are the subject of patents pending. Relevant patent information is available on Code's Patent Marking page at codecorp.com.

The Code Reader software uses the Mozilla SpiderMonkey JavaScript engine, which is distributed under the terms of the Mozilla Public License Version 1.1.

The Code Reader software is based in part on the work of the Independent JPEG Group.

Code Corporation, 434 W. Ascension Way, Ste. 300, Murray, Utah 84123

codecorp.com

Table of Contents

1. CR1100 Readers & Accessories	4
1.1 Readers.....	4
1.2 Accessories.....	4
1.3 Power Supplies	4
1.4 Cables.....	4
2. Unpacking & Installation	5
2.1 CR1100 & Cables	5
2.2 Universal Stand	5
3. Attaching & Detaching a Cable	6
4. Setup	6
5. Using a CR1100 Outside of a Universal Stand	7
6. Using a CR1100 in a Universal Stand	7
7. Typical Reading Ranges	7
8. Reader Feedback	8
9. Symbologies Turned On by Default	8
10. Symbologies Turned Off by Default	8
11. Reader ID, Firmware Version & License	9
12. CR1100 Hole Mounting Pattern	9
13. CR1100 Overall Dimensions	10
14. USB Cable Example with Pinouts	10
15. RS232 Cable Examples with Pinouts	10
16. Reader Pinouts	11
17. CR1100 Maintenance	11
18. Online Resources for the CR1100	12
19. Contact Code for Support	12
20. Warranty	12

1. CR1100 Readers & Accessories

1.1 Readers

Part Number	Description
CR1100-K10x	Cabled, Light Gray
CR1100-K20x	Cabled, Dark Gray

1.2 Accessories

Part Number	Description
CRA-US2	CR1xxx - Stand, Light Gray
CRA-US3	CR1xxx - Stand, Dark Gray
CRA-MB9	CR1xxx - Vice Clamp Mount
CRA-WMB3	CR1xxx - Wall Mount Bracket (Light Gray)

1.3 Power Supplies

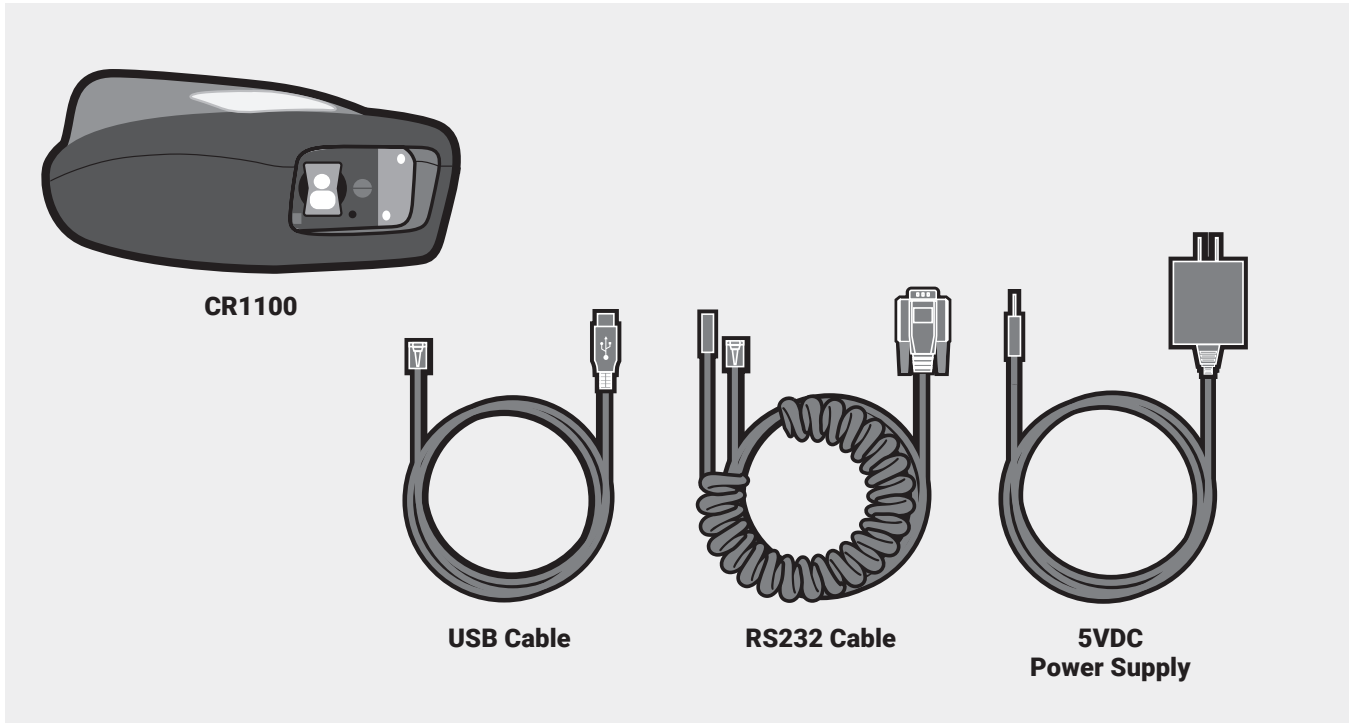
Part Number	Description
CRA-P4	USB Power Adapter for All Cabled Readers
CRA-P5	International Power Supply, USB, with US/EU/UK/AU Adapter Clips
CRA-P6	International Power Supply, Barrel Plug 5V/1A, with US/EU/UK/AU Adapter Clips
CR2AG-P1	US Power Supply for RS232
CR2AG-P2	EU Power Supply for RS232

1.4 Cables

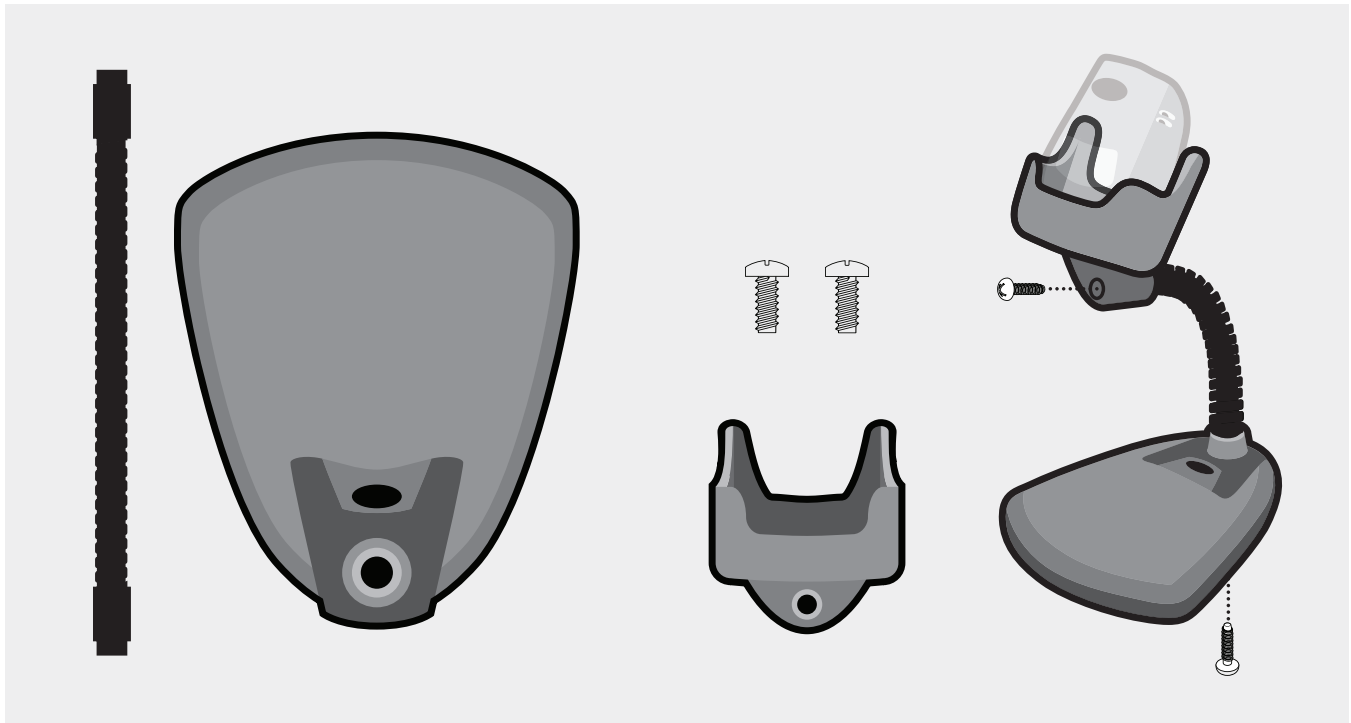
Refer to codecorp.com for a complete list of available cables.

2. Unpacking & Installation

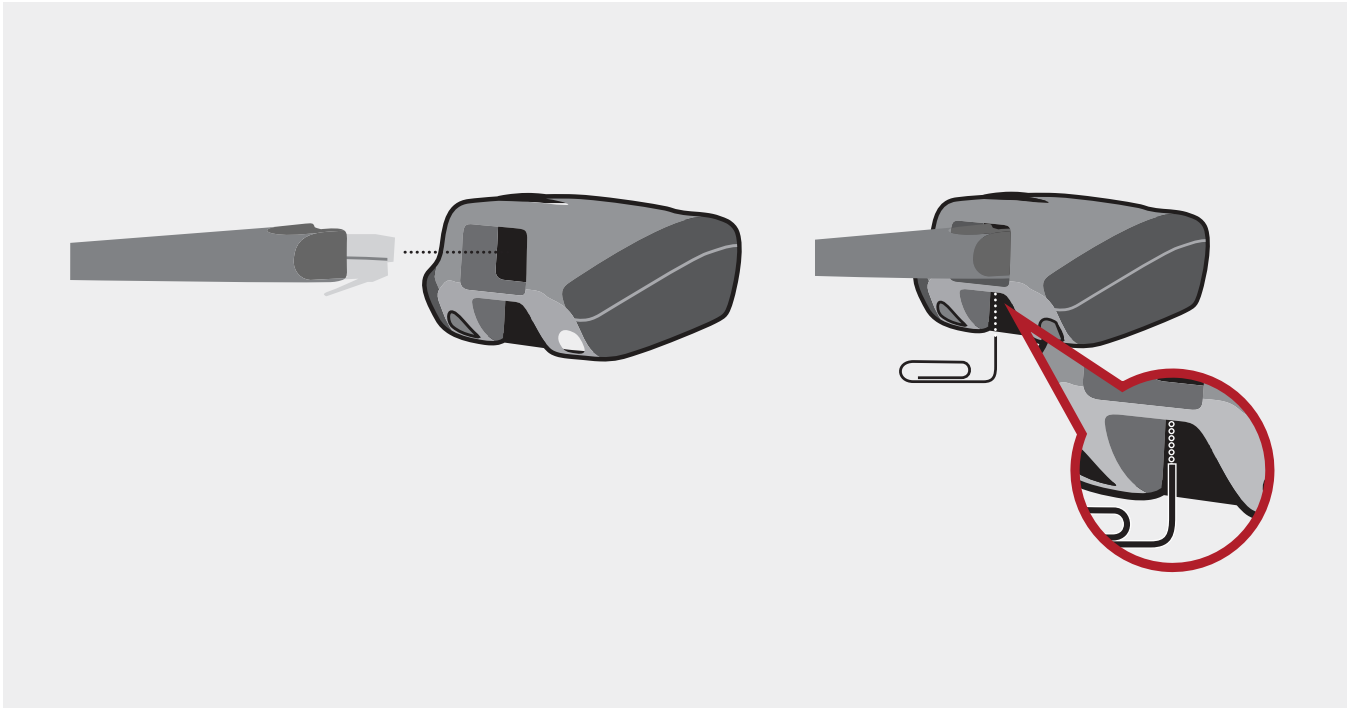
2.1 CR1100 & Cables



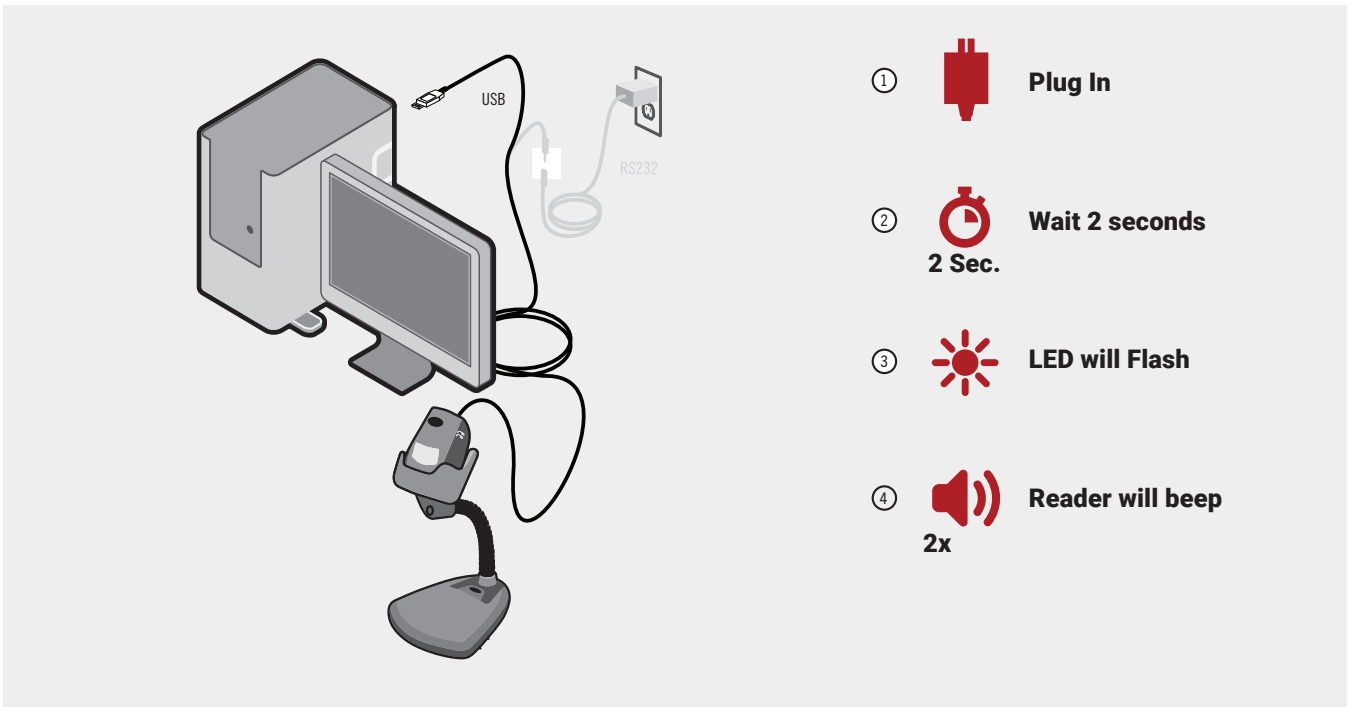
2.2 Universal Stand



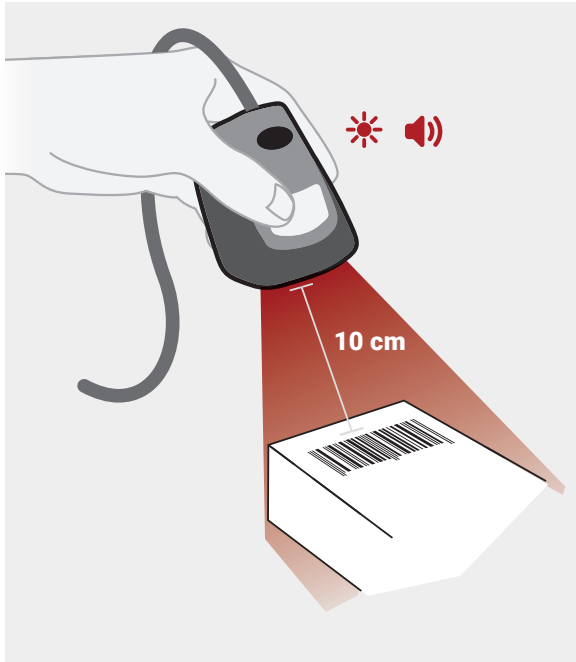
3. Attaching & Detaching a Cable



4. Setup



5. Using a CR1100 Outside of a Universal Stand



6. Using a CR1100 in a Universal Stand



7. Typical Reading Ranges

Test Barcode	Min Inches (mm)	Max Inches (mm)
3 mil Code 39	3.3" (84 mm)	4.3" (109 mm)
7.5 mil Code 39	1.9" (47 mm)	7.0" (177 mm)
10.5 mil GS1 DataBar	0.6" (16 mm)	7.7" (196 mm)
13 mil UPC	0.6" (16 mm)	11.3" (286 mm)
5 mil DM	1.9" (48 mm)	4.8" (121 mm)
6.3 mil DM	1.4" (35 mm)	5.6" (142 mm)
10 mil DM	0.6" (14 mm)	7.2" (182 mm)
20.8 mil DM	1.0" (25 mm)	12.6" (319 mm)

Note: Working ranges are a combination of both the wide and high density fields. All samples were high quality codes and were read along a physical center line at a 10° angle. Measured from the front of the reader with default settings. Testing conditions may impact reading ranges.

8. Reader Feedback

Scenario	Top LED Light	Sound
CR1100 successfully powers up	Green LED flashes	1 beep
CR1100 successfully enumerates with host (via cable)	Once enumerated, the green LED turns off	1 beep
Attempting to decode	Green LED light is off	None
Successful decode and data transfer	Green LED flashes	1 beep
Configuration code successfully decoded and processed	Green LED flashes	2 beeps
Configuration code successfully decoded but wasn't successfully processed	Green LED flashes	4 beeps
Downloading file/firmware	Amber LED flashes	None
Installing file/firmware	Red LED is on	3-4 beeps*

**Depending on comm port configuration*

9. Symbologies Turned On by Default

The following are symbologies that are turned *on* by default. To turn symbologies on or off, scan the symbology barcodes in the CR1100 Configuration Guide—located on the CR1100 product page:

codecorp.com/products/code-reader-1100

- Aztec
- Codabar
- Code 39
- Code 93
- Code 128
- Data Matrix
- Data Matrix Rectangle
- All GS1 DataBar
- Interleaved 2 of 5
- PDF417
- QR Code
- UPC/EAN/JAN

10. Symbologies Turned Off by Default

Code barcode readers can read a number of barcode symbologies that are not enabled by default. To turn symbologies on or off, scan the symbology barcodes in the CR1100 Configuration Guide—located on the CR1100 product page:

codecorp.com/products/code-reader-1100

- Codablock F
- Code 11
- Code 32
- Code 49
- Composite
- Grid Matrix
- Han Xin Code
- Hong Kong 2 of 5
- IATA 2 of 5
- Matrix 2 of 5
- Maxicode
- Micro PDF417
- MSI Plessey
- NEC 2 of 5
- Pharmacode
- Plessey
- Postal Codes
- Standard 2 of 5
- Telepen
- Trioptic

11. Reader ID, Firmware Version & License

For device management and obtaining support from Code, reader information will be needed. To find out the Reader ID, firmware version and optional licenses, open a text editor program (e.g., Notepad, Microsoft Word, etc.) and scan the Reader ID and Firmware configuration barcode on the right.



Scan for Reader ID, Firmware, and Licenses

M20361_01

You will see a text string indicating your firmware version and CR1100 ID number.

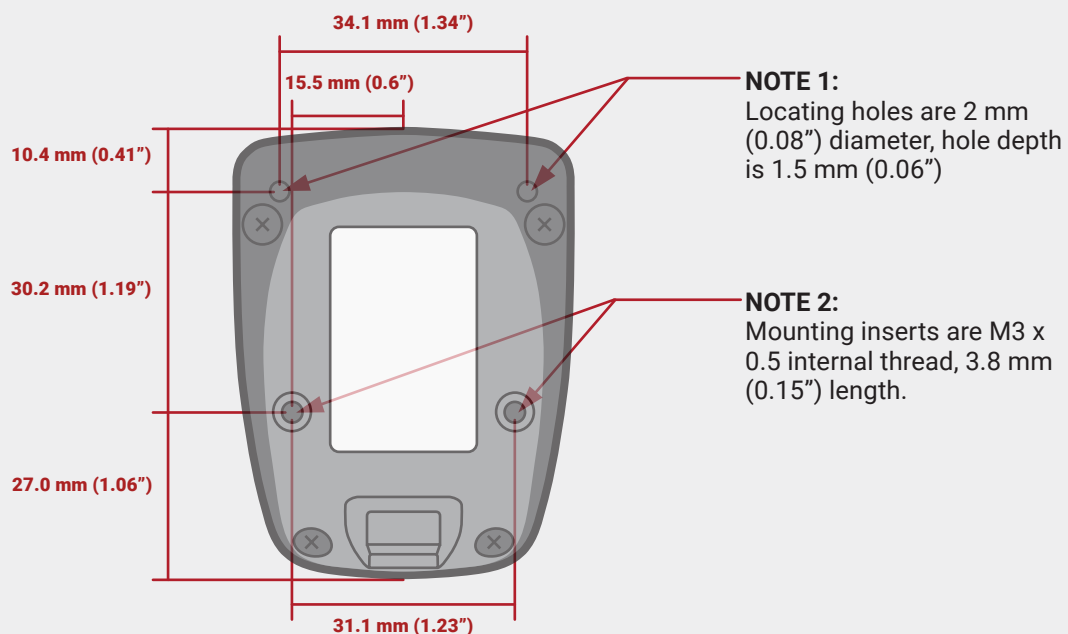
Example:

```
<RD><RR MD="CR1100" /></RD><RD><RR SN="1060000003" /></RD><RD><FW VS="1.1.4" /></RD><RD><LC GL="" /></RD>
```

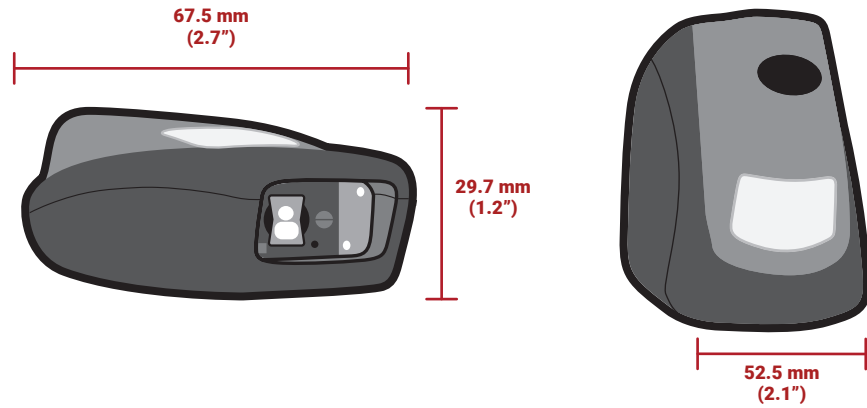
Model Number	Serial Number	Firmware Version Number	License Part Number (if there is any)
<RD><RR MD="CR1100" /></RD>	<RD><RR SN="1060000003" /></RD>	<RD><FW VS="1.1.4" /></RD>	<RD><LC GL="" /></RD>

Note: Code will periodically release new firmware for CR1100 readers. For information on the latest firmware, please see codecorp.com/products/code-reader-1100.

12. CR1100 Hole Mounting Pattern



13. CR1100 Overall Dimensions



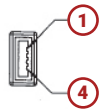
14. USB Cable Example with Pinouts

Notes:

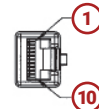
1. Part to be RoHS and Reach compliant.
2. Maximum voltage tolerance = 5V +/- 10%
3. **Caution:** Exceeding the maximum voltage will void manufacturer warranty.

CONNECTOR A	NAME	CONNECTOR B
1	VIN	1
2	D-	2
3	D+	3
4	GND	10
SHELL	SHIELD	NC

Connector A



Connector B



15. RS232 Cable Example with Pinouts

Notes:

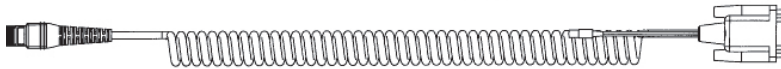
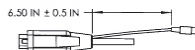
1. Part to be RoHS and Reach compliant.
2. Maximum voltage tolerance = 5V +/- 10%
3. **Caution:** Exceeding the maximum voltage will void manufacturer warranty.

CONN A	NAME	CONN B	CONN C
1	VIN	9	TIP
4	TX	2	
5	RTS	8	
6	RX	3	
7	CTS	7	
10	GND	5	RING
NC	SHIELD	SHELL	

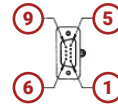
Connector A



Connector C



Connector B



16. Reader Pinouts

The connector on the CR1100 is an RJ-50 (10P-10C). Pinouts:

Pin 1	+VIN (5v)
Pin 2	USB_D-
Pin 3	USB_D+
Pin 4	RS232 TX (output from reader)
Pin 5	RS232 RTS (output from reader)
Pin 6	RS232 RX (input to reader)
Pin 7	RS232 CTS (input to reader)
Pin 8	External Trigger (active low input to reader)
Pin 9	N/C
Pin 10	Ground

17. CR1100 Maintenance

The CR1100 device needs only a minimum of maintenance to operate. A few tips are given below for maintenance suggestions.

Cleaning the CR1100 Window

CR1100 window should be clean to allow the best performance of the device. The window is the clear plastic piece inside the head of the reader. Do not touch the window. Your CR1100 uses CMOS technology that is much like a digital camera. A dirty window may stop the CR1100 from reading barcodes. If the window becomes dirty, clean it with a soft, non-abrasive cloth or a facial tissue (no lotions or additives) that has been moistened with water. A mild detergent may be used to clean the window, but the window should be wiped with a water moistened cloth or tissue after using the detergent.

Technical Support and Returns

For returns or technical support visit codecorp.com.

18. Online Resources for the CR1100

Please visit codecorp.com for resources to set up and manage the CR1100. On the CR1100 product page, you will find various information about the product.

The Firmware and Software tabs contain downloads for the device. They include:

- The latest device firmware
- CortexTools3, a Windows utility program to configure your code Reader, create configuration barcodes, update reader firmware, set data parsing rules, load custom JavaScript applications, upload images to your PC and much more
- Various Drivers (OPOS, JPOS, Virtual COM, etc.)

To configure the CR1100, go to “Support” and select “Device Configuration” to view the manual configuration codes.

19. Contact Code for Support

If any problem is encountered when using a Code device, contact your facility’s technical support first. If they determine the problem lies with the Code device, they should contact the Code Support department at codecorp.com. To obtain support, please provide the following information:

- Device model number
- Device serial number
- Firmware version

Code Support will respond by telephone or email. If it is deemed necessary to return the device to Code for repair, Code Support will provide a Return Authorization (RMA) Number and shipping instructions. Packaging or shipping improperly may result in damage to the device and void the warranty.

20. Warranty

For complete Warranty and RMA information, go to codecorp.com.